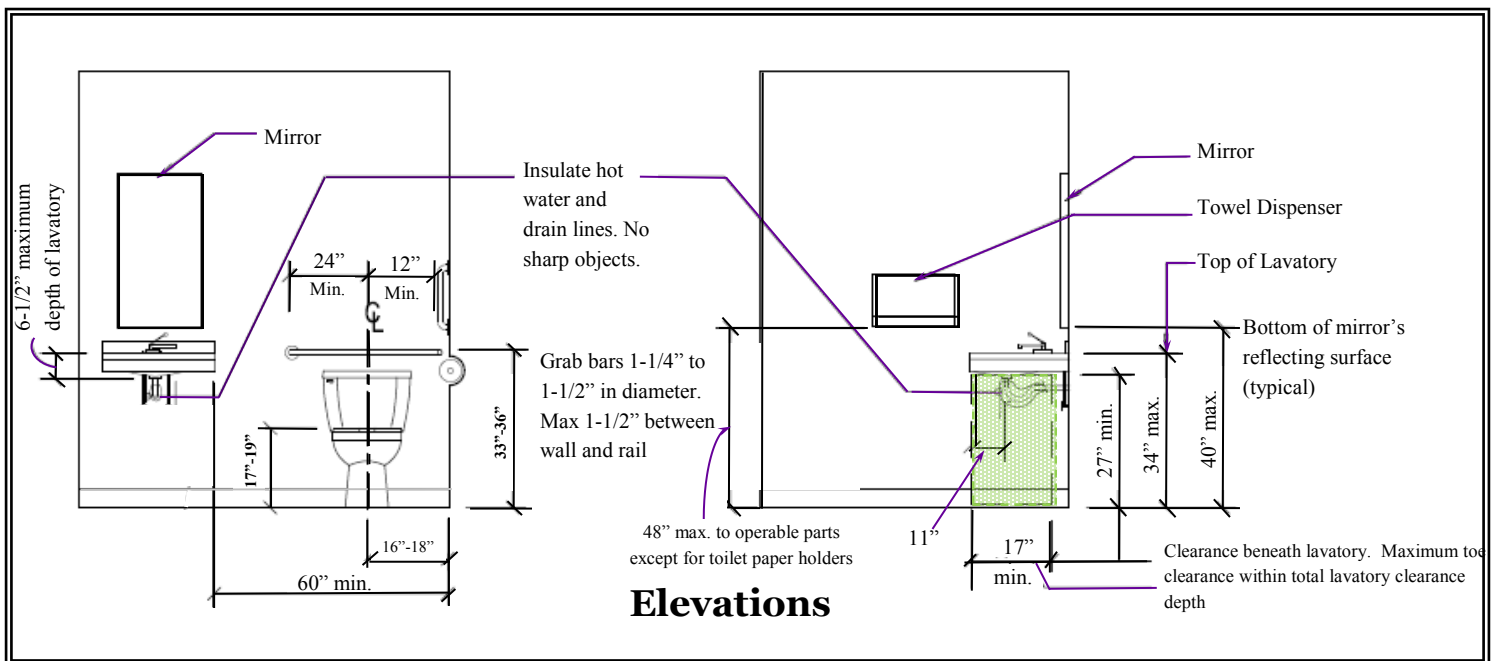
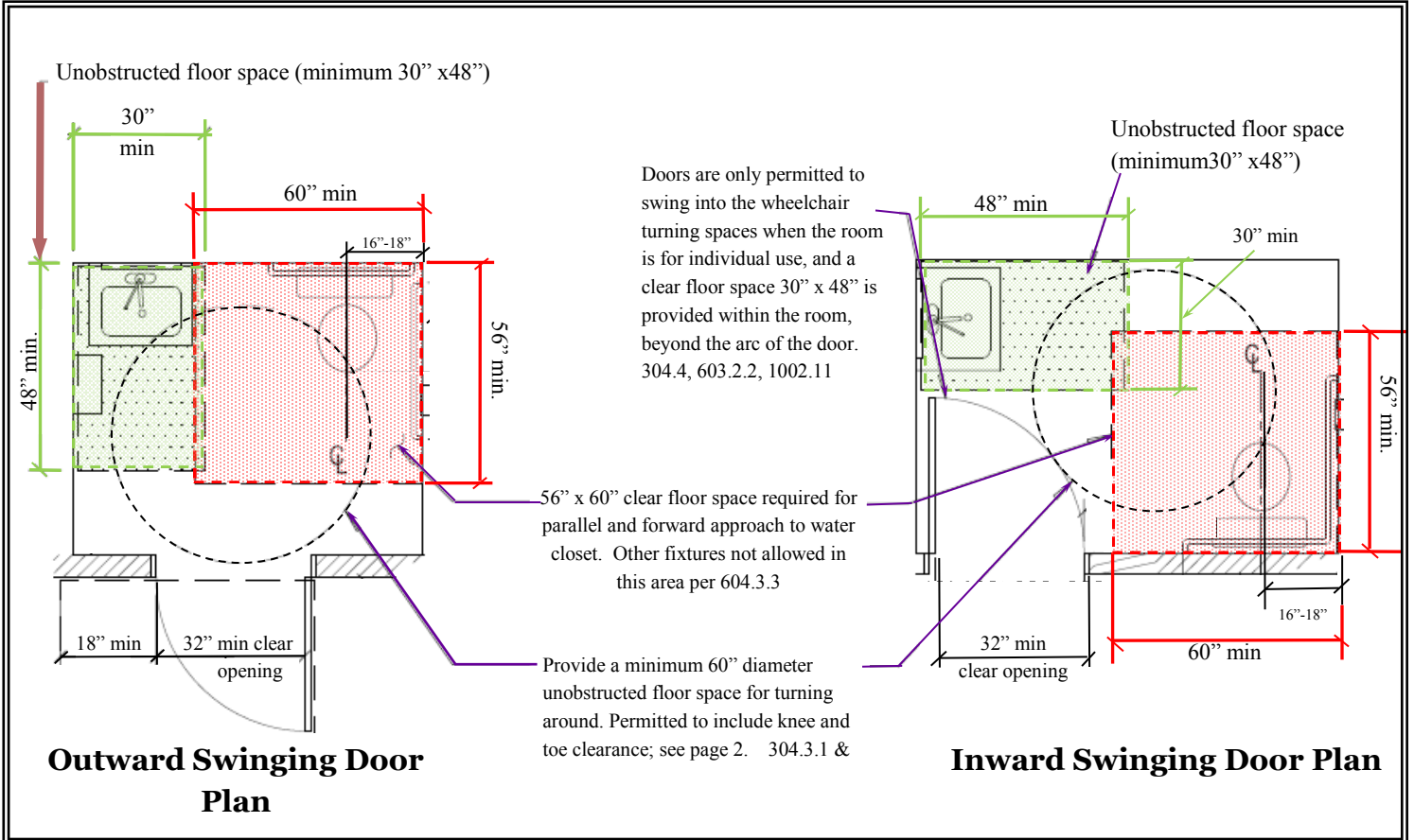
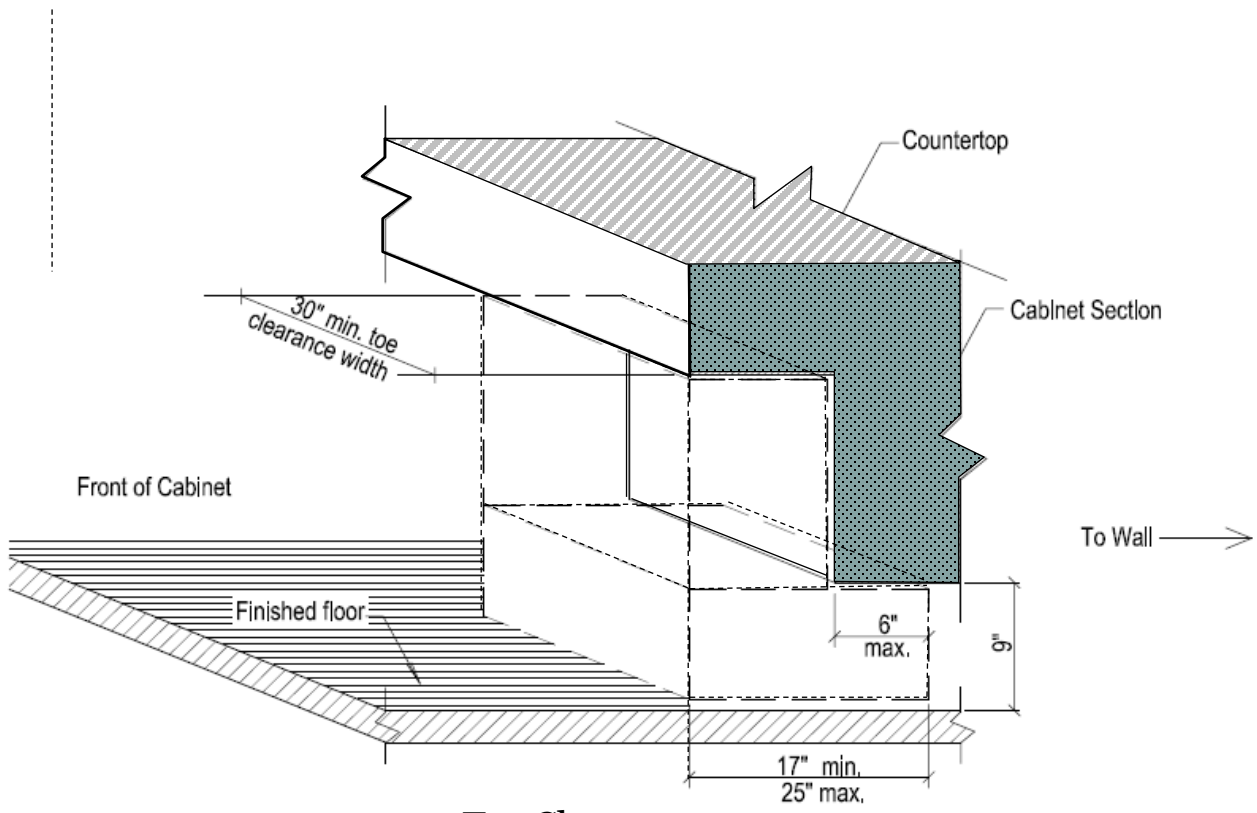


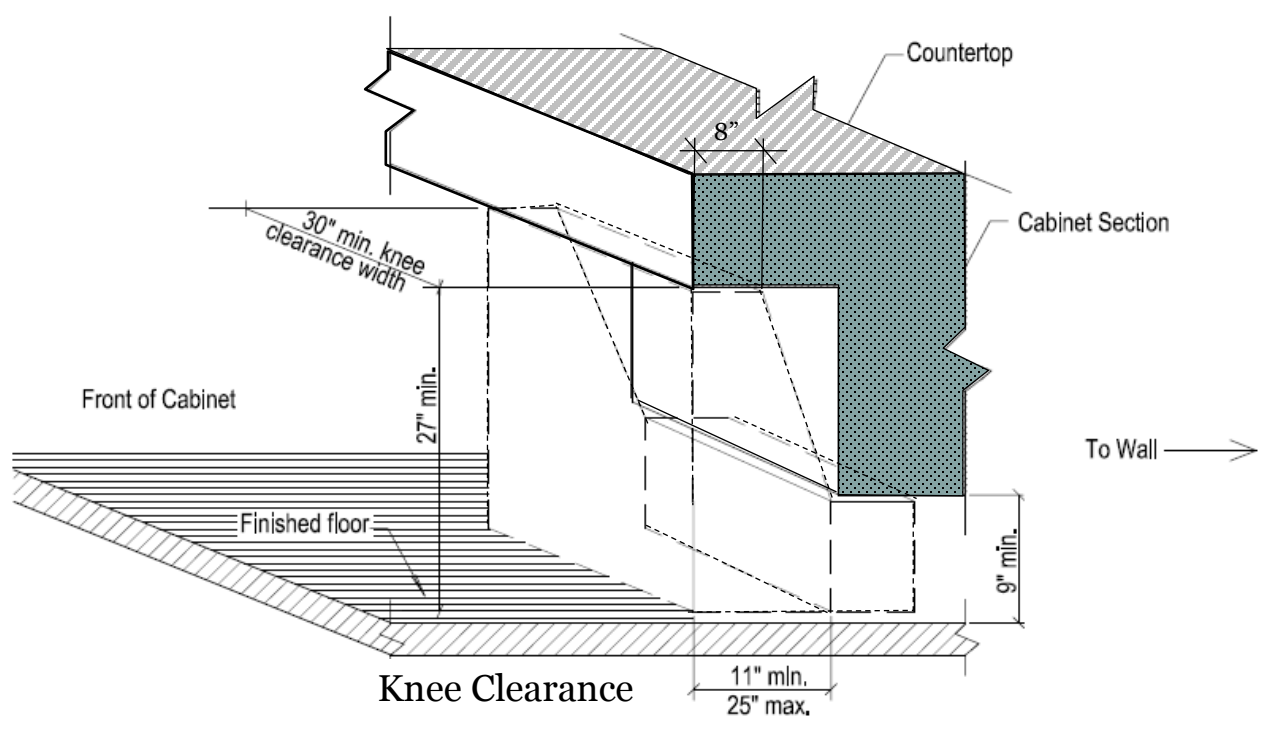
# Accessible Restrooms

2015 International Building Code & 2010 ADA

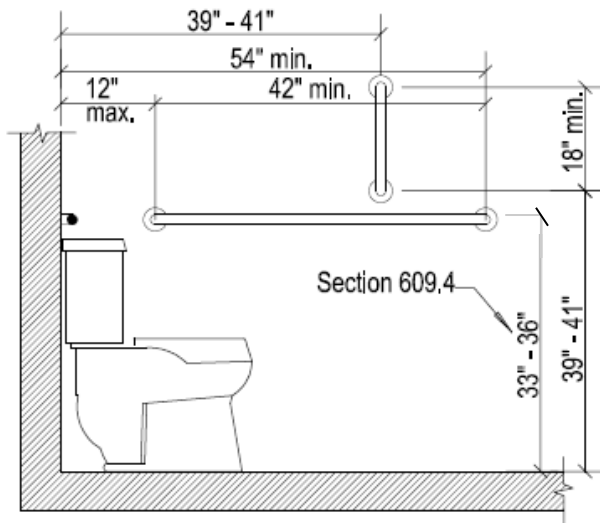




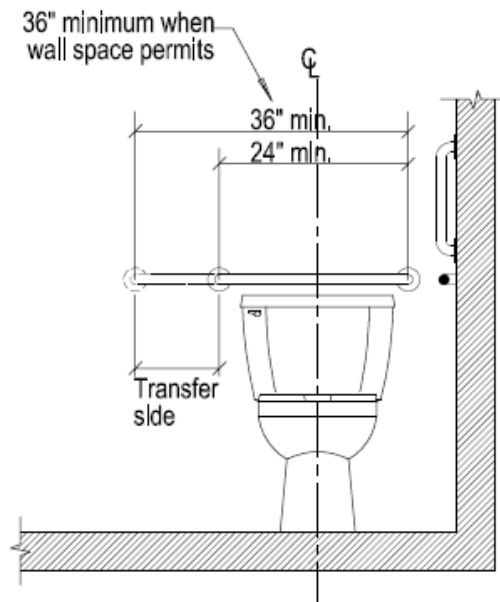
Toe Clearance



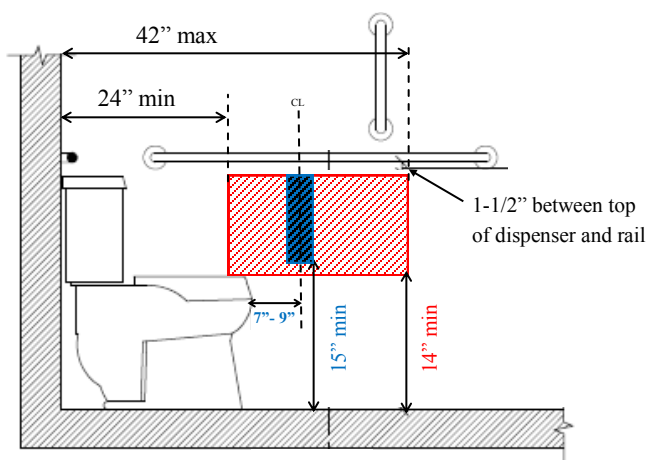
Knee Clearance



**Side Wall Grab Bar  
for Water Closet**

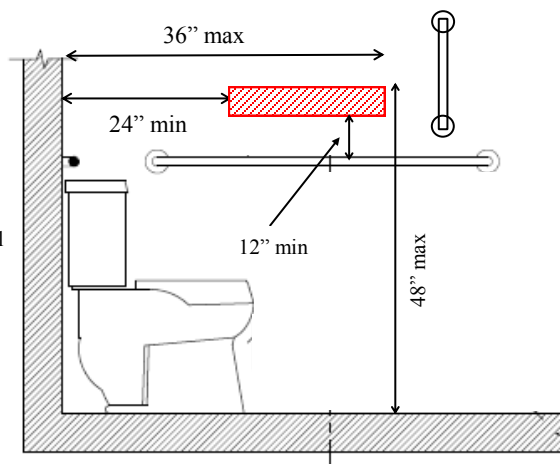


**Rear Wall Grab Bar  
for Water Closet**



**Dispenser Location  
Below Grab Bar**

ADA location shaded **blue** and  
ANSI location shaded **red**



**Dispenser Location  
Above Grab Bar**